

MCW "PROFESSIONAL" SERIES SUSPENDED CRANE SCALES



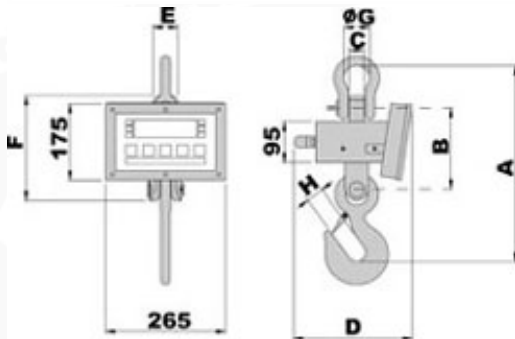
Stainless steel crane scales, reliable and easy to use, suitable for indoor and outdoor use (IP67 dust and rain resistant). For capacities up to 6000 kg, the models are available both for internal factory use as well as CE-M APPROVED.

MAIN FEATURES

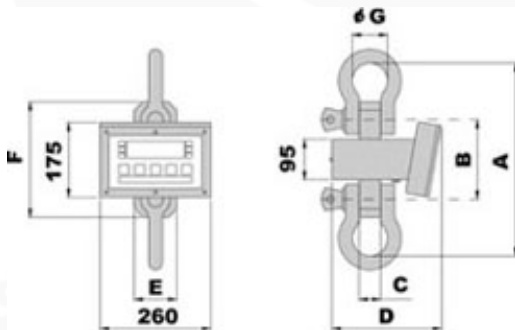
- Large backlit 25mm LCD display easily visible in all lighting conditions and also with low temperatures.
- Fitted with approved upper galvanized shackle and approved bottom swivelling hook (for the capacities from 150 to 6500 kg).
- Fitted with approved upper and lower galvanized shackles (for 12 and 25 t capacities)
- Precision: +/- 0.03% F.S.
- Waterproof keyboard with 5 keys: ZERO, AUTOMATIC TARE, MODE, PRINT, and ON/OFF.
- **Function mode configurable as PEAK (maximum value read), HOLD (blocking the weight viewed), Weighs accumulation, lb/kg conversion (for other available functions see DFW indicator).**
- IP67 STAINLESS STEEL case (dust and rain).
- Fitted with remote control for up to a 8 m distance. The remote control may be configured by the customer as automatic tare only, or as a remote keypad with 4 keys.
- Rechargeable hermetically sealed battery with a 40-hour operating time.
- Digital set-up and calibration programmable directly from keyboard using a sample weight.
- Operating temperature: -10 /+40 °C.
- Programmable digital filter and auto switch-off.
- Equipped with 230Vac 50 Hz battery charger.

OPTIONS ONLY AVAILABLE AT TIME OF ORDER

- RF weight transmission to remote indicator up to over 70m indoors
- WI-FI interface
- Attached thermal printer option box
- Remote weight indicator (see DFW.., 3590.., TRS.., DGT60.. Series' indicators) with printer connected through radio frequency



MCW dimensions (capacities 150 - 6500 kg)



MCW dimensions (capacities from 12t to 25t)

WEIGHTS AND MEASUREMENTS

Code	A	B	C	D	E	F	G	H	Weight in kg (including packing)
MCW150	321	160	24	260	45	200	43	30	10
MCW300	321	160	24	260	45	200	43	30	10
MCW600	321	160	24	260	45	200	43	30	10
MCW1500	390	160	34	260	45	200	58	38	16
MCW3000	450	187	34	260	55	240	58	38	16
MCWT6	450	187	34	260	55	240	58	47	16
MCWT12	451	186	50	280	100	270	83	--	26
MCWT25	632	226	72	280	110	360	126	--	46

N.B.: the approved models have the same dimensions as those for internal use

Available versions

Code	Max Capacity	Standard Division kg	HR Division kg	CE-M Division kg	Price €
MCW150	150	0,05	0,02		890.00
MCW300	300	0,1	0,05		890.00
MCW600	600	0,2	0,1		890.00
MCW1500	1500	0,5	0,2		890.00
MCW3000	3000	1	0,5		890.00
MCWT6	6500	2	1		1250.00
MCWT12	12000	5	-		1750.00
MCWT25	25000	10	-		2250.00
MCW150M M	150			0,05	960.00
MCW300M M	300			0,1	960.00
MCW600M M	600			0,2	1030.00

MCW1500M M	1500	0,5	1030,00
MCW3000M M	3000	1	1030,00
MCWT6M M	6000	2	1390,00

Take note: the 12t and 25t models are without swivelling hook (see accessories)

Indicator connectable with MCW through optional radio transmission

Code	Description	Price (€)
DFWPM	Portable radio frequency weight repeater, for DFW indicators and MCW crane scales. Handy, compact, easy to use and consult.	450,00
DFWPMUSB	Portable radio frequency weight repeater, for DFW indicators and MCW crane scales. Handy, compact, easy to use and consult. Fitted with USB port for quick connection to PC.	510,00
DFW06XPCA	5 keys, LCD 25mm backlit display, built-in rechargeable battery, IP65 enclosure, 4-channel A/D converter, RS232 RJ plug, external 110-240 Vac adapter	290,00

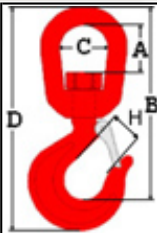
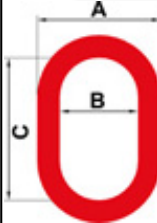
Options only available at time of order

Code	Description	Price (€)
OBTPRI	Attached thermal printer STAINLESS STEEL option box with >50mm/sec speed, 203 dpi resolution, 24/40 columns, 58 mm paper width; 50 mm Roll diameter	315,00
OBMCCI	Memory Data Printer option box in Stainless Steel with memory card for easy storage and transfer of the weights to any Personal Computer (complete of memory card)	315,00
EHR	High resolution model for internal factory use	100,00
WIFIT	WI-FI interface for wireless connection (through access point) to the company computer system.	380,00
RFITR	Radio interface connectable to the indicator complete of RS232 port. Max. functioning distance indoors: 70m. Max. functioning distance outdoors: 150m. Up to 50 configurable channels (must be combined with another radio modem)	265,00
OBRFUSB	868MHz radio frequency module with USB input, selfpowered, connectable to USB ports. Fitted with USB connection cable. Max. functioning distance: 70m indoor, 150m outdoor. 50 available channels, easily programmable from the PC.	367,00
OBRFI	Radio interface connectable to the PC and printer complete of RS232 port and 3m cable. Max. functioning distance indoors: 70m. Max. functioning distance outdoors: 150m. Up to 50 configurable channels (must be combined with another radio modem)	367,00
DFCLK	Real Time Clock (Time/date)	65,00
ALMEM	Alibi memory (fiscal memory) with time/date; max. 120.000 weighs	125,00
MCWLB	Version with 40mm red led digits (10/15 hour battery operating time)	350,00
MCWBK	Backup battery kit for MCW inclusive of spare battery pack and battery charger	105,00
UKPLUG	Power adapter from Schuko to BS1363.	15,00

Accessories

Code	Description	Price (€)
GG15	Swivelling bottom hook with safety lock 15 t	330,00
GG22	Swivelling bottom hook with safety lock 22 t	700,00
GG30	Swivelling bottom hook with safety lock 30 t	2000,00
CA2	Connection ring 2.5 t	16,00
CA4	Connection ring 4 t	21,00
CA8	Connection ring 8 t	32,00
CA15	Connection ring 15 t	50,00
CA30	Connection ring 30 t	165,00
TECMAN	Printed technical manual (free, if downloaded from the web) NET PRICE	15,00
UMAN	Printed user manual (free, if downloaded from the web) NET PRICE	5,00

MEASUREMENTS OF HOOKS AND RINGS IN MM

	Codice	A	B	C	D	H
	GG15	95	354	96	455	63
GG22	121	432	120	565	80	
GG30	133	568	139	667	88	
	CA2	86	60	110		
	CA4	111	75	135		
	CA8	152	100	180		
	CA15	174	110	200		
	CA30	270	180	340		

Mobile Weighing price list MARCH 2008
Category M05 ver 1.1

Dini Argeo S.r.l. -
P.IVA/VAT IT 00767800360
Copyright 2002-2008 - All Rights Reserved.
www.diniargeo.com