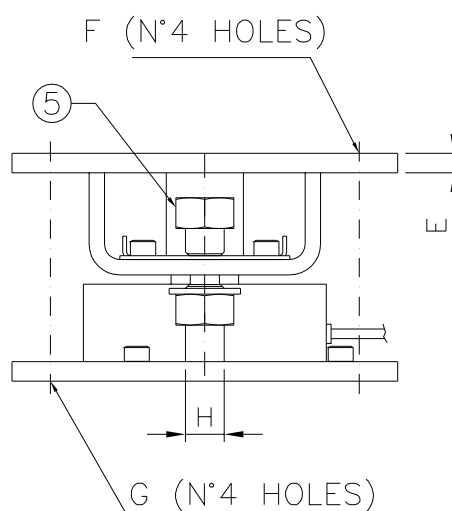
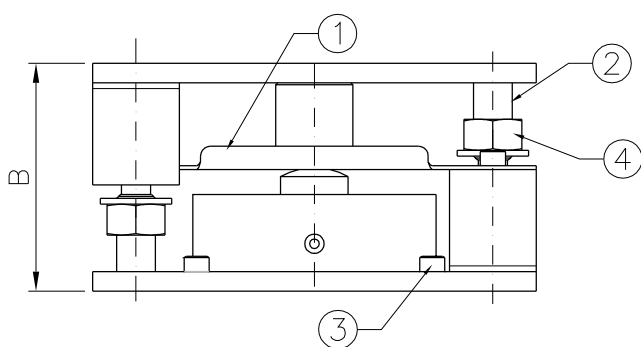
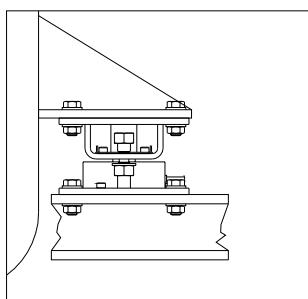


- ① SLABS BLOCKING LATERAL MOVEMENT
- ② BOLTS WITH OVERTURN-PROOF AND SCREW JACK FUNCTION
- ③ 3 CELL BLOCKING BOLTS
- ④ NUT TO BE USED AS SCREW JACK
- ⑤ OVERTURN-PROOF NUT

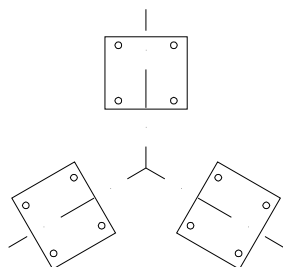


INSTALLATION EXAMPLE

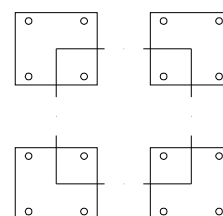



CAPACITY	A	B	C	D	E	F	G	H
0.5 ÷ 15 t	175	96	150	115	10	∅14	∅14	M16
30 t	230	118	200	160	10	∅17	∅17	M20

EXAMPLE OF POSITIONING THE CONSTRAINTS IN A STRUCTURE WITH 3 BASES PLACED AT 120°



EXAMPLE OF POSITIONING THE CONSTRAINTS IN A STRUCTURE WITH 4 BASES



 DINI ARGEO Bilance-Sistemi di pesatura	DATA-DATE	15/07/04	DISIGN.-DRAWED	S.C.	SCALA-SCALE	-	FOGLIO-SHEET	A4			
	DESCRIZIONE DESCRIPTION	DIMENSIONS AND POSITIONING OF KCPN ASSEMBLY KIT									
	NOTE NOTES							CODICE CAD CAD CODE	274F59		
								CODICE CODE	-		