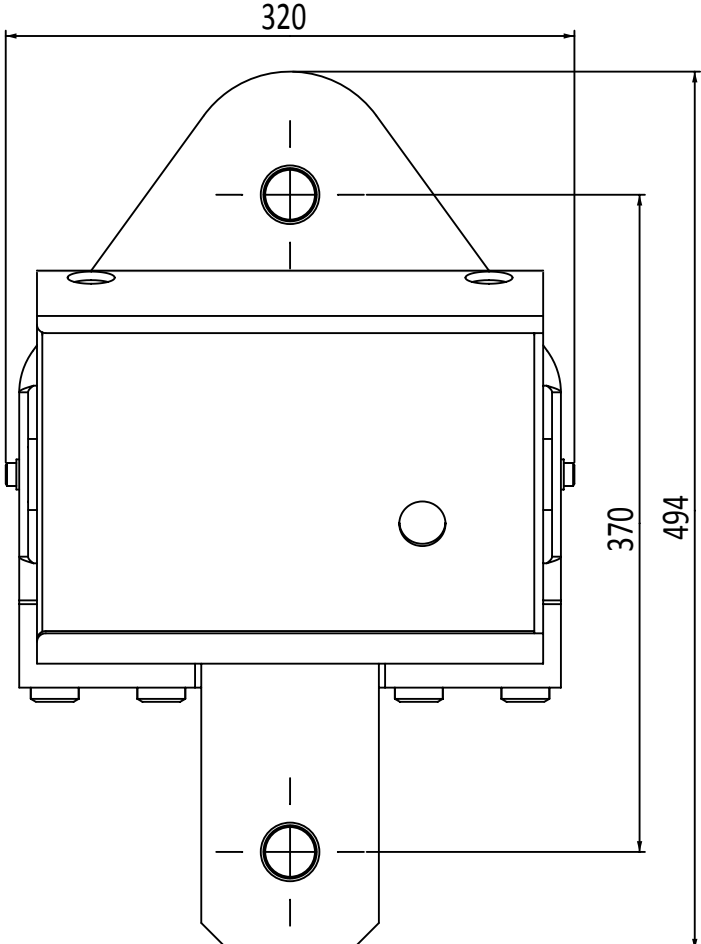
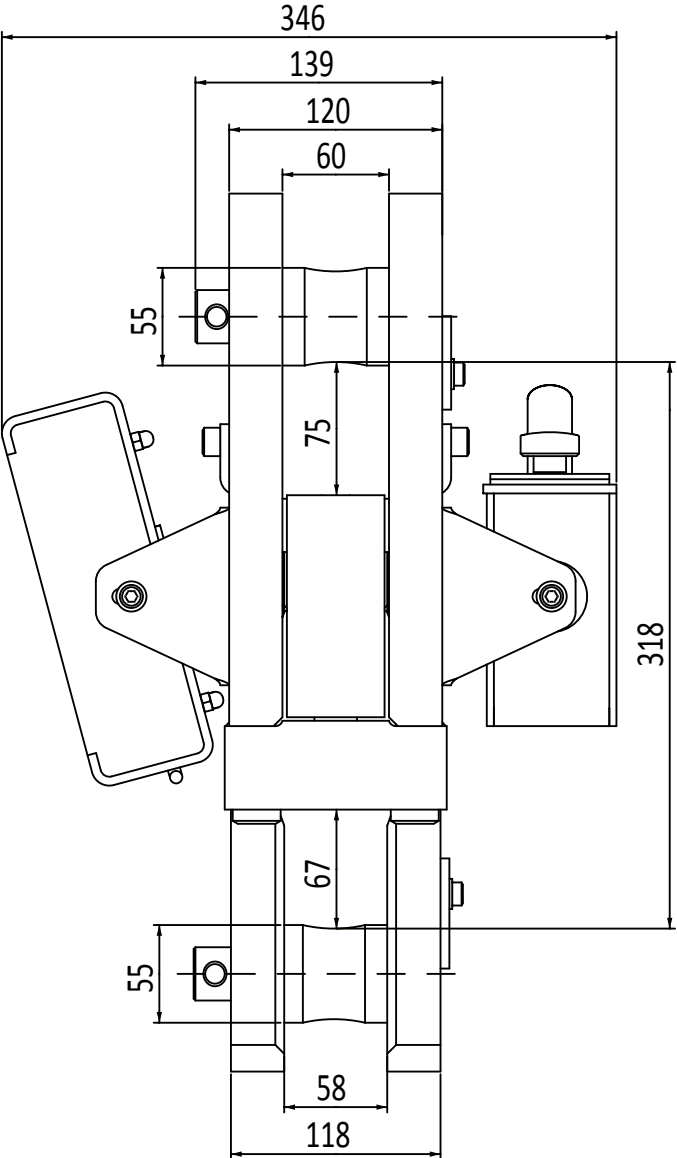


# MCWHU-2



dimensions in mm